



-- PVB-5500 --
Installation Instructions



Call Jaypro Sports Equipment at 1-800-243-0533 during regular business hours for technical support.

www.jaypro.com

PVB-5500

PARTS LIST (QTY: SINGLE UNIT)


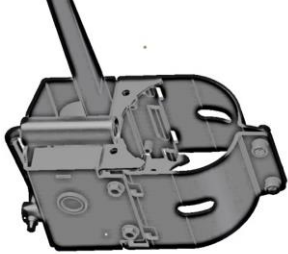
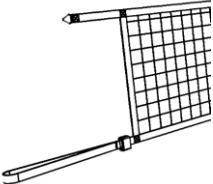
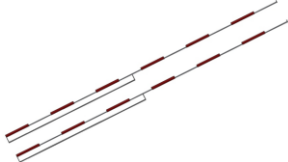





ITEM	IMAGE	DESCRIPTION	QTY
1		STANDARD UPRIGHTS <i>P/N: PVB-55U</i>	2
2		VOLLEYBALL WINCH <i>P/N: PVBWINCH</i>	1
3		VOLLEYBALL FLEX NET <i>P/N: PVBN-6</i>	1
4		VOLLEYBALL ANTENNA <i>P/N: VBA-4</i>	1
5		ANCHOR STRAP <i>P/N: PVB-604</i>	1
6		WINCH HARDWARE KIT: 3/8"-16 x 4 1/4" BUTTON HEX SCREW 3/8" ACORN NUT <i>PART OF PVBWINCH HARDWARE KIT</i>	1 ea
7		3/8"-16 x 3 1/2" BUTTON HEX SCREW <i>P/N: HS5201</i>	1
8		3/8" ACORN NUT <i>P/N: HN809</i>	1
9		3/8" SPACER <i>P/N: HM6347</i>	1
ITEM	IMAGE	DESCRIPTION	QTY

Table of Contents

IMPORTANT NOTICE:

- 1) BEFORE EACH USE CHECK EQUIPMENT FOR PROPER CONNECTING HARDWARE AND STRUCTURAL INTEGRITY. REPLACE DAMAGED OR MISSING HARDWARE IMMEDIATELY.
- 2) NEVER ALLOW ANYONE TO CLIMB OR HANG ON THE NET OR GOAL FRAME. AS SERIOUS INJURY OR DAMAGE TO THE EQUIPMENT MAY OCCUR.
- 3) USE OF THIS EQUIPMENT OTHER THAN INTENDED, MAY BE HAZARDOUS.
- 4) ALTERATION OR MODIFICATION OF THIS EQUIPMENT MAY BE HAZARDOUS AND RESULT IN INJURY. FOR REPAIR OR REPLACEMENT, CONTACT YOUR DEALER OR JAYPRO SPORTS.
- 5) **DO NOT ATTEMPT TO REMOVE THE HEIGHT ADJUSTER PIN IF THE NET IS UNDER TENSION.**
- 6) **ALWAYS USE PROTECTIVE PADDING AROUND EACH UPRIGHT DURING USE.**
- 7) **UPRIGHTS ARE HEAVY. DO NOT ATTEMPT TO LIFT OR INSTALL WITHOUT ASSISTANCE.**

Tools Require:

- 1 Adjustable Wench
 - 1 3/16" & 5/16" Hex Keys
 - 1 Tape Measure
- Unpack all parts and check against parts list to ensure that all have been included.
 - Inspect all parts for damage. Report any damages to the trucking company.

These instructions assume that the appropriate ground sleeves have been correctly installed:

- The PVB-5500 will fit most 2" inner diameter ground sleeves.
- The inside bottom surface of the ground sleeves must be at least 8" below floor level.

Please consult the instructions and specifications supplied with your ground sleeves for more information.

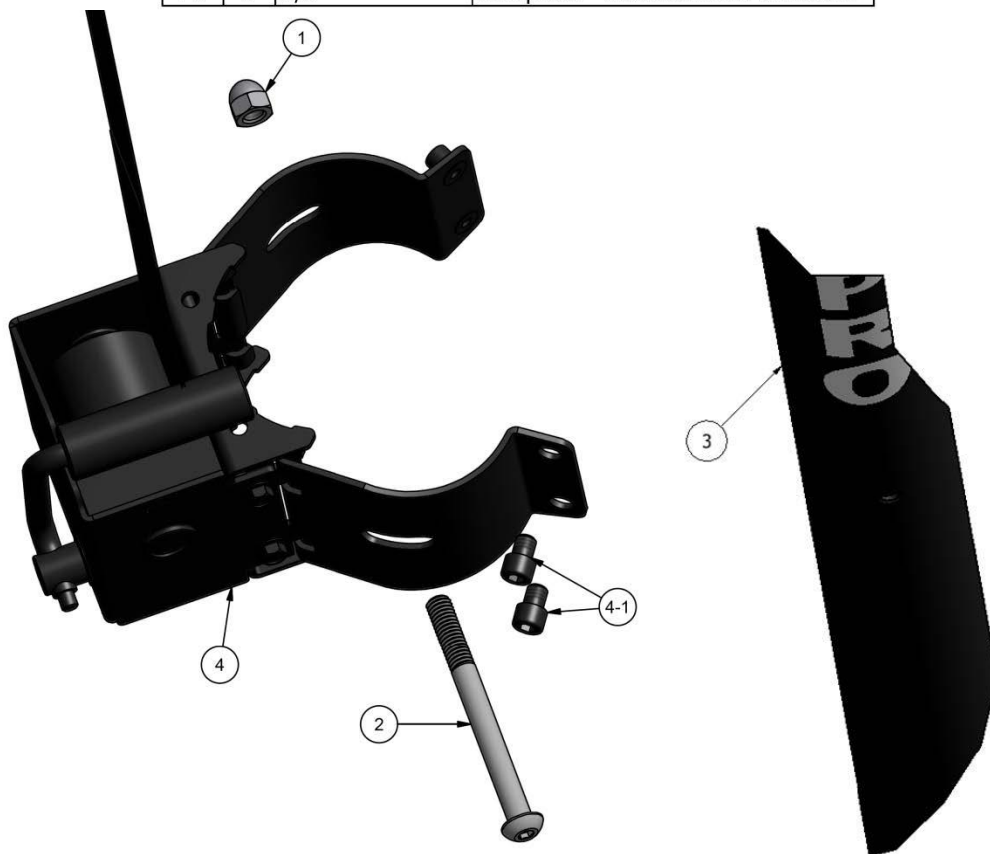
If you require additional information or support to install or operate your volleyball system, please contact the Jaypro Sports customer support team, Monday through Friday, 8:30AM to 5:00 PM (EST), at 1-800-243-0533.

Upright Assembly:

WARNING: Uprights are heavy. Do not attempt to lift or install without assistance.

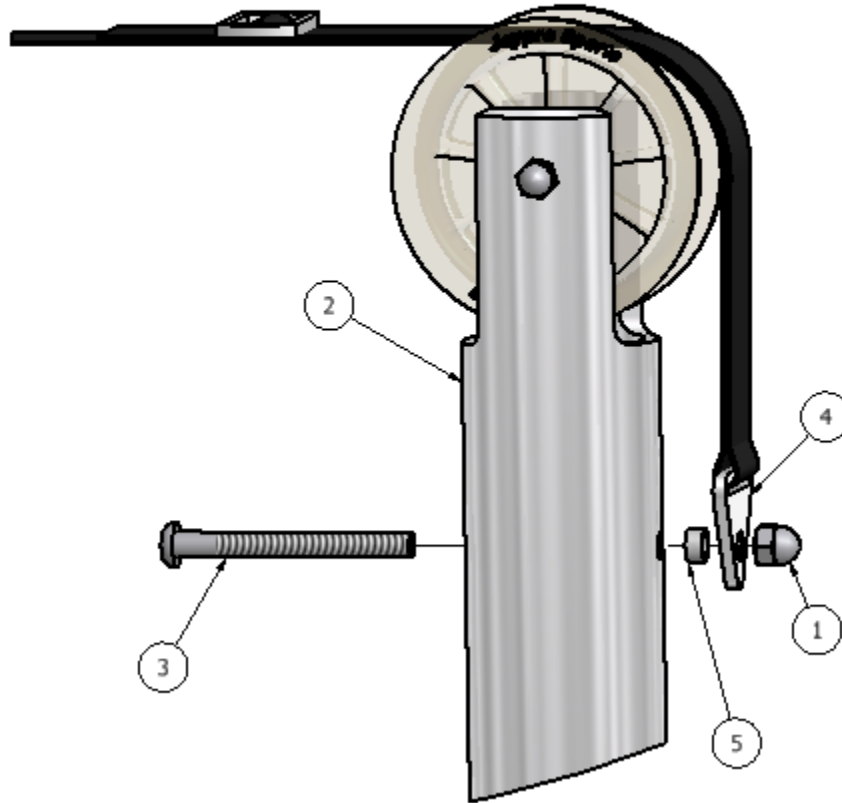
1. Install each upright into the ground sleeves.
2. Follow instructions included with winch to set the winch clamp to the correct upright diameter (3-1/2").
3. Install winch to one upright using the button head cap screw and acorn nut (Item 1, 2 & 4-1 included with PVBWINCH).
4. Fasten the clamp together using the cap screws supplied with the winch.

ITEM	QTY	PART NUMBER	DESCRIPTION
1	1	N/A	3/8" ACORN NUT
2	1	N/A	3/8"-16 x 4 1/4" BUTTON HEX SCREW
3	2	PVB-55U	STANDARD UPRIGHTS
4	1	PVBWINCH	Volleyball Winch
4-1	2	N/A	Clamp Bolt - Included with PVBWINCH



5. Install the anchor strap to the upright without the winch (Figure 6 2).

ITEM	QTY	PART NUMBER	DESCRIPTION
1	2	HN809	3/8" ACORN NUT
2	2	PVB-55U	STANDARD UPRIGHTS
3	1	HS5201	3/8"-16 x 3 1/2" BUTTON HEX SCREW
4	1	PVB-604	ANCHOR STRAP
5	1	HM6347	3/8" SPACER

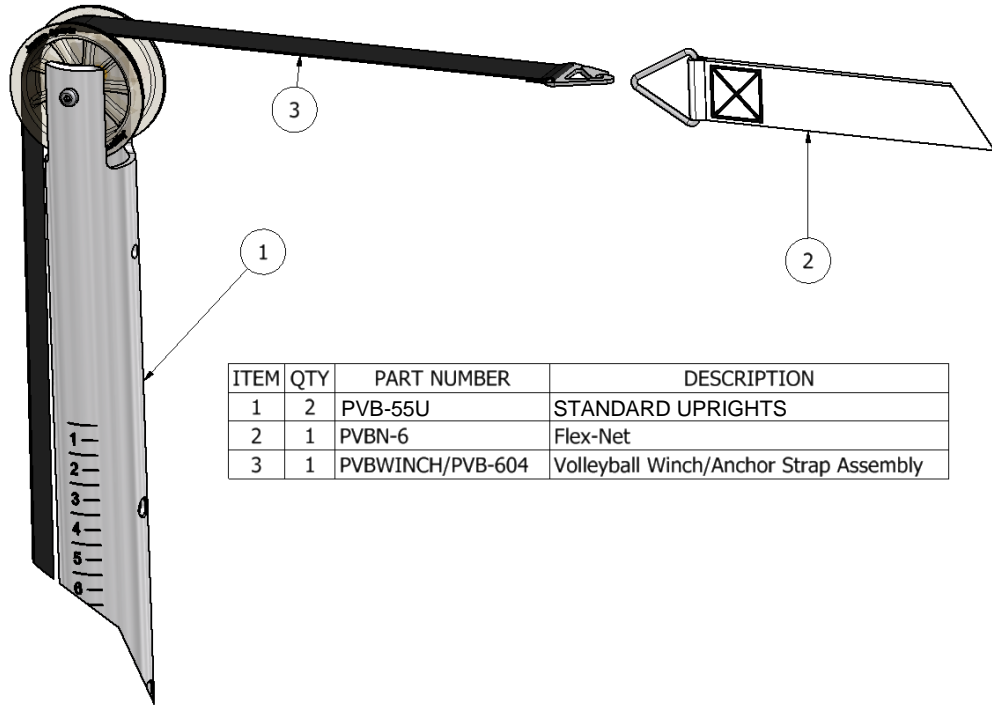


6. Set the height of the uprights using the installed height adjust pin (Figure 6 3).

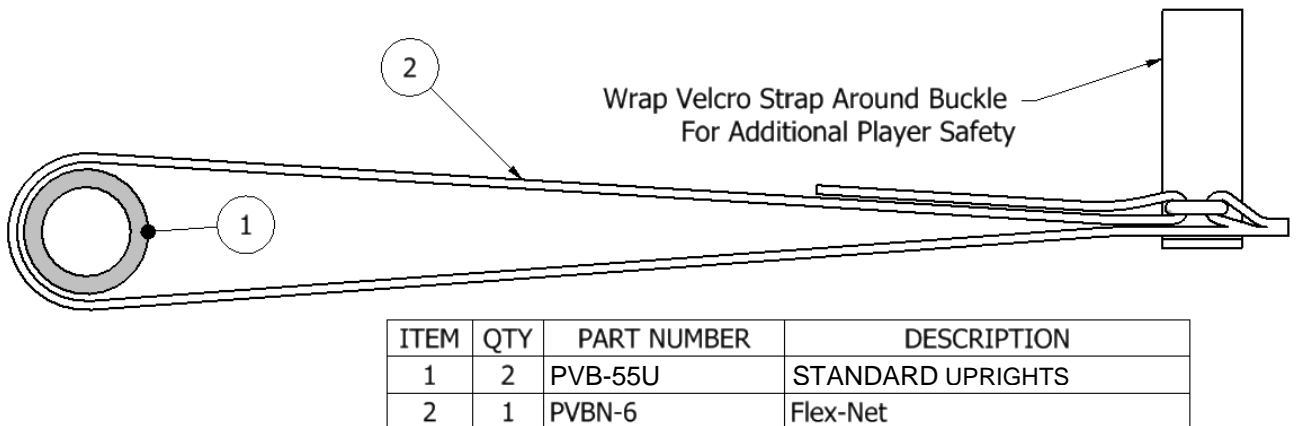
WARNING: Do not attempt to remove the height adjuster pin if the net is under tension.



- Attach one end of net to anchor strap, then attach other end to winch strap (Figure 6 4).



- Adjust the length of the anchor strap as necessary to center net on court.
*****The net will stretch ~6 – 8 inches when tension is applied so you must factor this in before applying tension when centering the net.**
- Tension the net by turning the winch handle clockwise .Adjust anchor strap as necessary to keep net centered.
- Verify net heights and net centering. The uprights will deflect inward and downward due to net tension; you may need to adjust their heights and/or re-center the net. **WARNING: Release tension from the net before removing height adjust pin.**
- Attach the bottom net straps to each upright as shown in Figure 6 5. Wrap Velcro straps around buckles for additional player safety.



- Attach net antennae and tapes according to instructions included with antennae set.
- Install pads around each upright.

Maintenance:

Your PVB Series Collegiate Net System is designed to provide years of play; however, it is recommended that the components be inspected at least once every season, for signs of excessive wear. Key areas to inspect include (but are not limited to):

- Strap webbing
- Net
- Spring clips and D-rings
- Winch mechanism
- Screws and nuts

If you require additional information or support maintaining your volleyball system, please contact the Jaypro Sports customer support team, Monday through Friday, 8:30AM to 5:00 PM (EST), at 1-800-243-0533.

NCAA and NFHS rules require that the upright standards must be installed at least 3'3" (1m) outside the court boundaries. Jaypro recommends 36' spacing on center to satisfy both regulations.