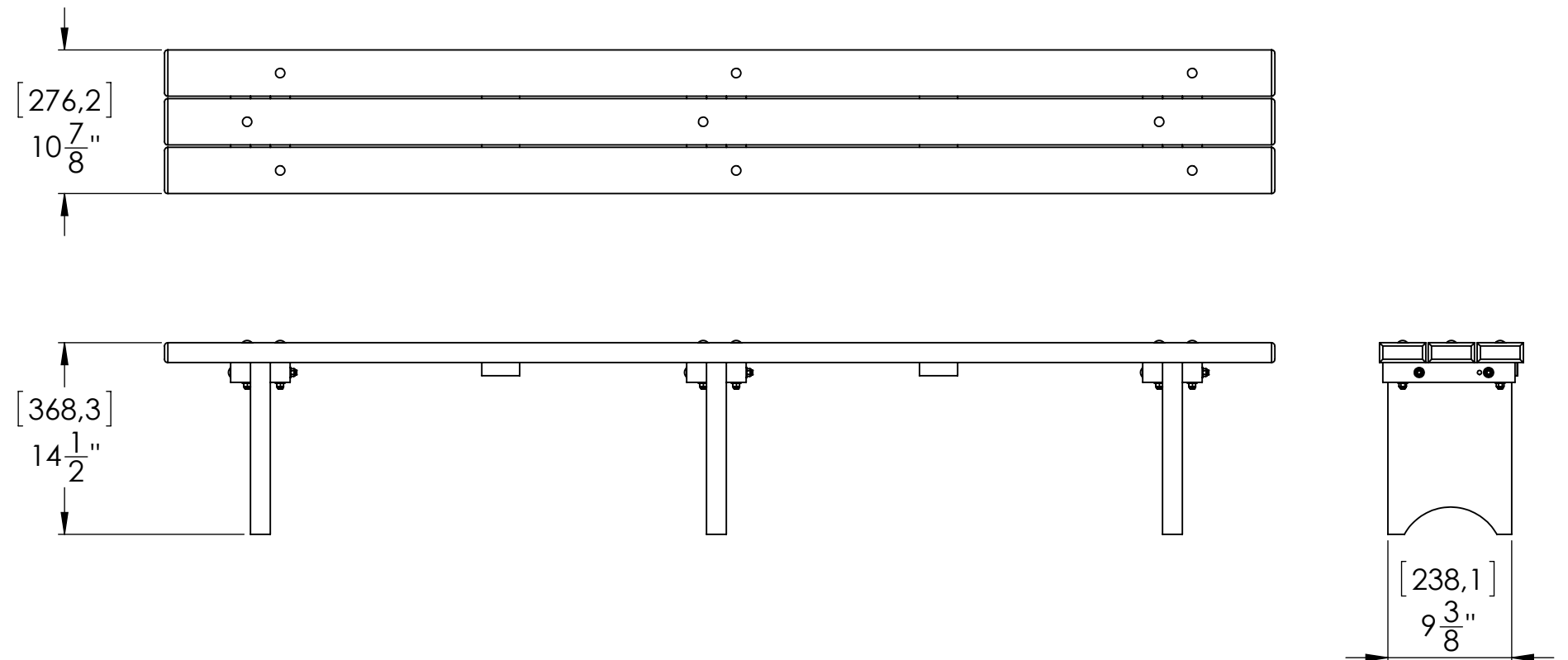
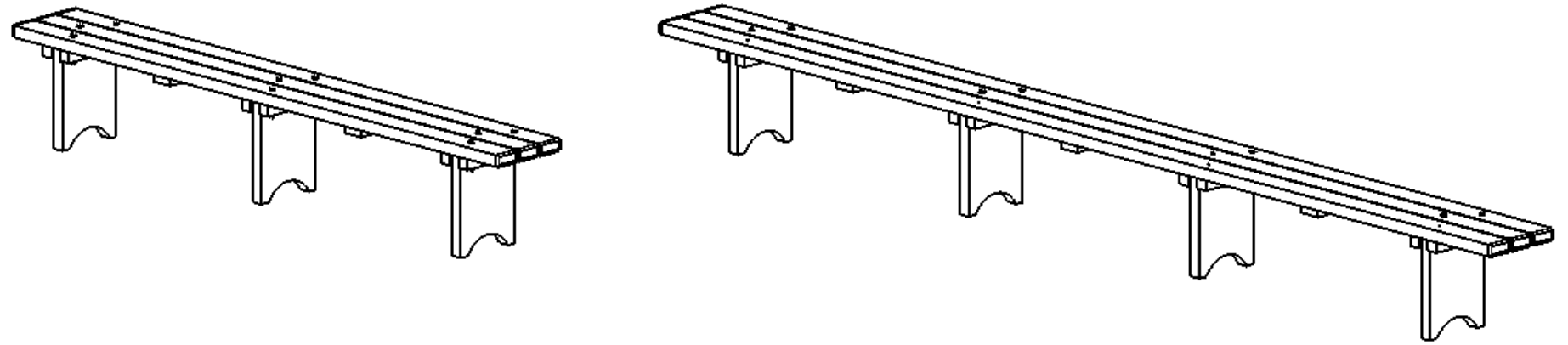


SPECIFICATIONS REGULAR BENCH

- 100% RECYCLED PLASTIC (COLOR : SAND)
- STAINLESS STEEL HARDWARE
- 10-YEAR WARRANTY



PRODUCT #	LENGTH	# LEGS	DISTANCE BETWEEN LEGS	APPROX. WEIGHT
68.1405	5 FEET	3	23,5"	55 LBS
68.1406	6 FEET	3	29,5"	60 LBS
68.1407	7 FEET	3	34,5"	65 LBS
68.1408	8 FEET	4	23,5"	80 LBS
68.1409	9 FEET	4	27,5"	90 LBS
68.1410	10 FEET	4	31,5"	100 LBS
68.1411	11 FEET	4	35,5"	110 LBS
68.1412	12 FEET	4	40"	115 LBS

NORDESCO inc
WWW.NORDESCO.COM

NOTES:	DRAWER : MBusque		PRODUCT : REGULAR BENCH	
	VERIFICATION :		ASSEMBLY : N/A	DRAWING : 68.140X
	APPROVAL :		N.B. :	QTY :
	PAPER SIZE : B			DOCUMENT TYPE : SPECIFICATIONS
			PROJECT/CLIENT :	# SEQUENTIAL : N/A