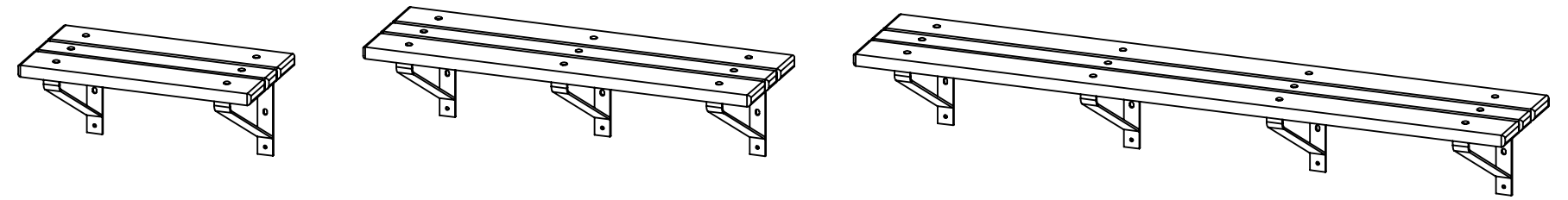


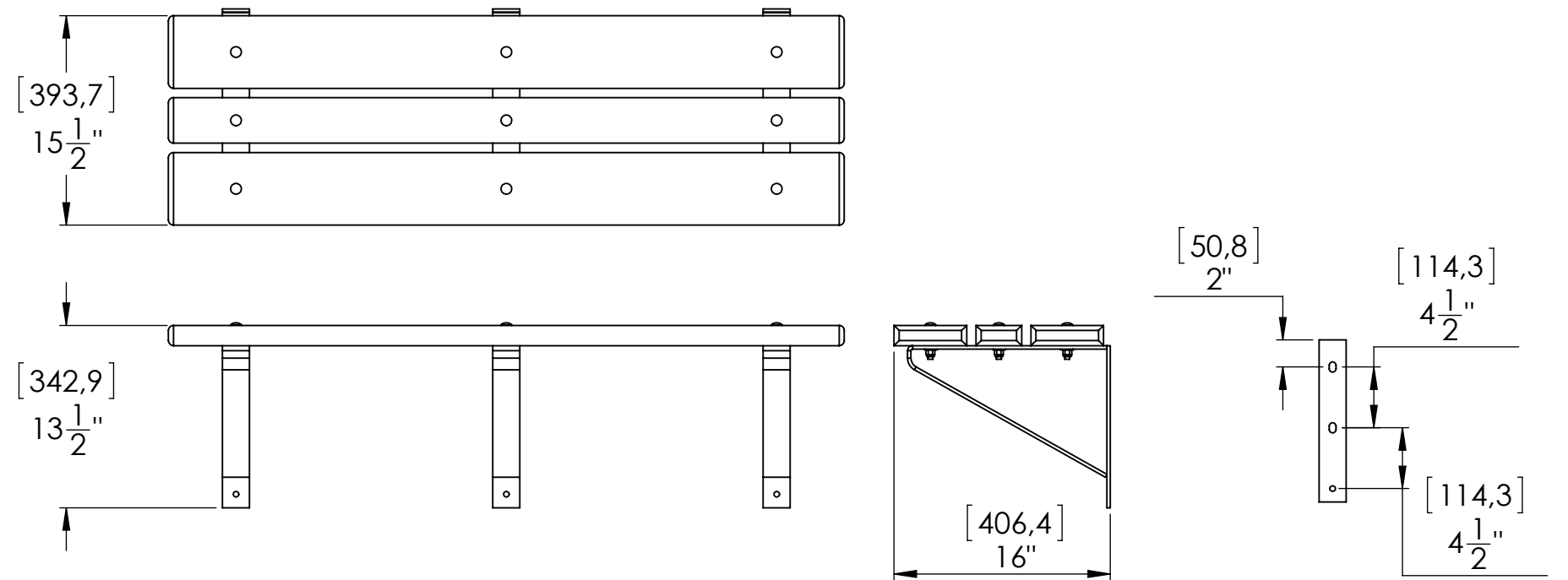
SPECIFICATIONS

WALL-MOUNTED BENCH

- SEAT IN RECYCLED PLASTIC (COLOR : SAND)
- WALL-MOUNT SUPPORT : PAINTED STEEL (POLYESTER POWDER, COLOR : LUSTER BLACK)
- STAINLESS STEEL HARDWARE
- WALL ANCHORS NOT INCLUDED
- 10-YEAR WARRANTY



PRODUCT #	LENGTH	# LEGS	DISTANCE BETWEEN LEGS	APPROX. WEIGHT
68.1302	2 FEET	2	16"	30 LBS
68.1303	3 FEET	2	28"	40 LBS
68.1304	4 FEET	2	34"	50 LBS
68.1305	5 FEET	3	26"	65 LBS
68.1306	6 FEET	3	32"	75 LBS
68.1307	7 FEET	3	33"	85 LBS
68.1308	8 FEET	4	28"	100 LBS
68.1309	9 FEET	4	32"	110 LBS
68.1310	10 FEET	4	36"	120 LBS
68.1311	11 FEET	4	40"	130 LBS
68.1312	12 FEET	4	42"	140 LBS



NORDESCO inc
WWW.NORDESCO.COM

NOTES:	DRAWER : MBusque		PRODUCT : WALL-MOUNTED BENCH	
	VERIFICATION :		ASSEMBLY : N/A	DRAWING : 68.130X
	APPROVAL :		N.B. :	QTY :
	PAPER SIZE : B			DOCUMENT TYPE : SPECIFICATIONS
				PRODUCT NUMBER : 68.130X
				PROJECT/CLIENT :
				# SEQUENTIAL : N/A