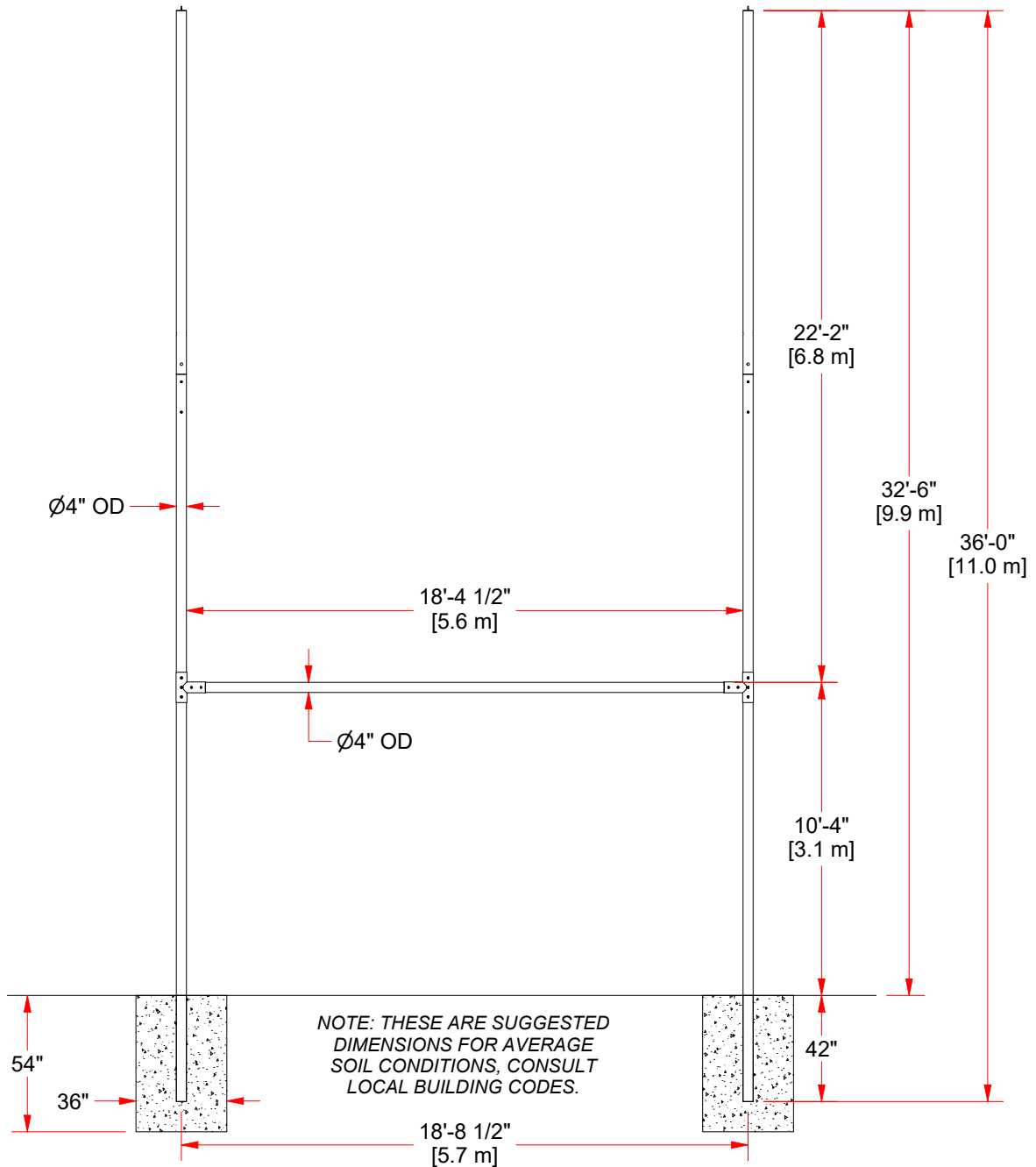


# RGP-3 OFFICIAL RUGBY



## FEATURES:

- > 18'-4" W (5.6m) x 32' H (9.8m) OFFICIAL SIZE RUGBY GOAL.
- > UPRIGHTS EXTEND 22' ABOVE CROSSBAR.
- > UPRIGHTS CONSTRUCTED WITH HEAVY WALL 4" OD SCH 40 ALUMINUM TUBING.
- > CROSSBAR CONSTRUCTED WITH 4" OD, 8 GAUGE ALUMINUM TUBING.
- > POWDER COATED WHITE.
- > DESIGNED FOR PERMANENT INSTALLATION.
- > OPTIONAL GROUND SLEEVE (FBSLV4)
- > OPTIONAL WIND STREAMER (WS-42)



**RGP-3**

OFFICIAL RUGBY

© COPYRIGHT 2023 JAYPRO SPORTS, LLC. ALL RIGHTS RESERVED THIS PRINT IS THE PROPERTY OF JAYPRO SPORTS, LLC. AND MAY NOT BE REPRODUCED WITHOUT WRITTEN PERMISSION

[www.jayprosports.com](http://www.jayprosports.com)  
 (800) 243-0533  
 976 Hartford Turnpike  
 Waterford, CT 06385 USA

Rev: A

SHEET 1 OF 1